

LIFT

Hydraulic retractable bollard



230V a.c. bollard without control board

| COD. | Art. | | | | | | OTHER CHARACTERISTICS |
|--------|-------------------|-------|-------|-------|------|---|---|
| 650034 | LIFT/300-4 | • • • | 273mm | 700mm | 4mm | | - Underground installation - Complete with mechanical pipe |
| 650035 | LIFT/300-5 | • • • | 273mm | 700mm | 4mm | • | - Extractable galvanized pipe - Galvanized framework |
| 650036 | LIFT/300-6 | • • • | 273mm | 700mm | 12mm | | - Collector with patented emergency manual release - LED diffusers |
| 650037 | LIFT/300-7 | • • • | 273mm | 700mm | 12mm | • | - 2 limit switches - Reflecting film with high bright response |

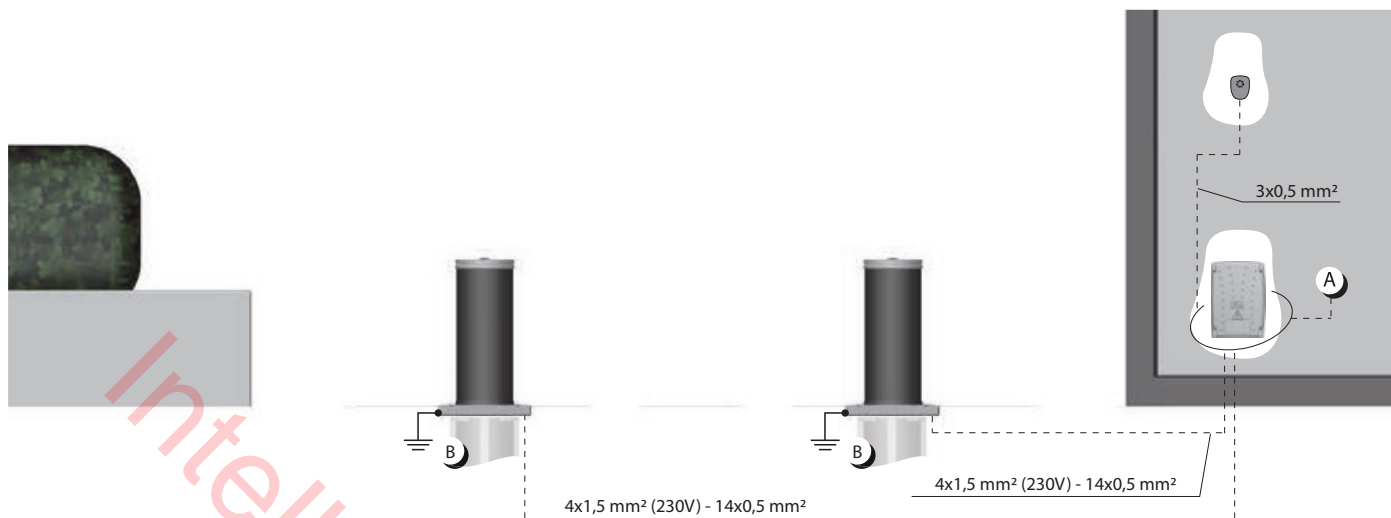
All models have: stainless steel version available on demand

Manual bollard without control board

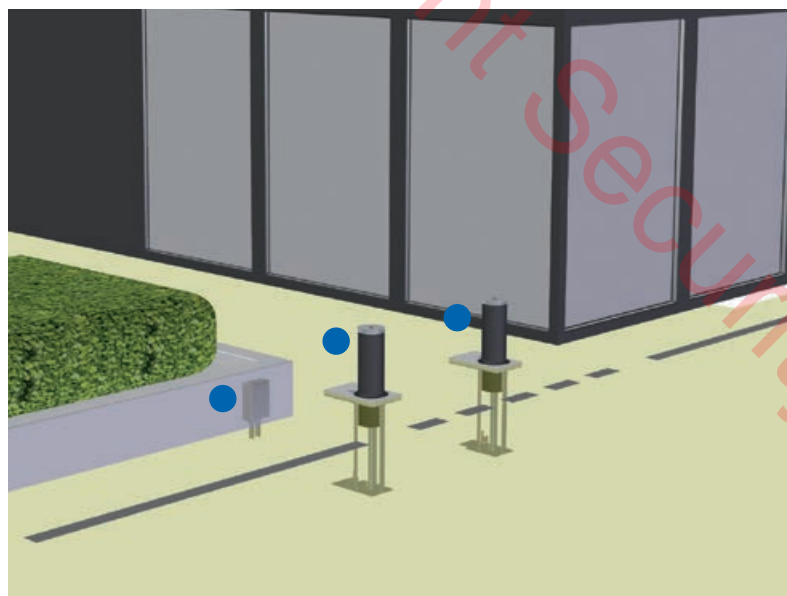
| COD. | Art. | OTHER CHARACTERISTICS |
|--------|---------------|--|
| 650020 | LIFT/F | Fixed bollard Ø140 - h. 700 - t. 3 mm. |
| 650021 | LIFT/M | manual bollard with key |

Fixed bollards Ø200 e 300 available on demand

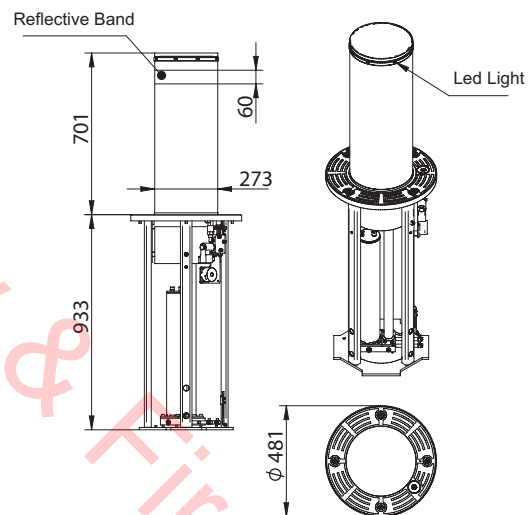
| TECHNICAL INFO | 300 |
|-------------------------------|--------------------------|
| Motor power supply (V) | 230 AC ± 10 % (50/60 Hz) |
| Maximum power absorption (W) | 500 |
| Max thrust (N) | 1900 |
| Duty cycle (cycles/hours) | 100 |
| N. max cycles in 24h. | 1200 |
| Built-in capacitor (µF) | 12,5 µF |
| Operating temperature (°C) | 0 ÷ 60 |
| Motor thermal protection (°C) | 140 |
| 90° Opening time (s) | 6,5 |
| Weight with packing (Kg) | 98 ÷ 180 |
| Protection degree | IP54 |
| Impact Resistance | 29.000 J |



EXAMPLE OF A TYPICAL INSTALLATION



DIMENSIONS



Cod. 650030
Art. LIFT/300
Hydraulic retractable bollard

Cod. 677580
Art. LIFT/QE
230V control panel with built-in receiver for the managing of 4 bollards

Cod. 662030
Art. 104LUX
Pair of adjustable (15°) surface mounted photocells


Cod. 664000
Art. PILLY/60
Pair of aluminium columns for photocells, height 55 cm.


Cod. 667061
Art. LOOP 230/1
Loop detector, 1 channel


Cod. 681030
Art. SMF230/2
Lamp traffic light with red-green lights


Cod. 668010
Art. 127
Warning sign


SPECIFIC ACCESSORIES


 Cod. 677580
Art. LIFT/QE
230V control panel with built-in receiver for the managing of 4 bollards

 Cod. 659050
Art. LIFT/SG
Junction box with plugs and socket

 Cod. 659020
Art. LIFT/SZ
Pump safety lock, unlocking device with 3 keys

 Cod. 659030
Art. LIFT/RS
Sonorous recognizer for emergency vehicles

 Cod. 659040
Art. LIFT/EL
Solenoid with power supply cable

 Cod. 667061
Art. LOOP 230/1
Loop detector, 1 channel

 Cod. 659010
Art. LIFT/SA
230V audible warning device, IP67

 Cod. 659060
Art. LIFT/RE
Antifreeze heater

 Cod. 667071
Art. LOOP 230/2
Loop detector, 2 channels

OTHER ACCESSORIES

 Cod. 677610
Art. NET230N/C
Universal digital control board for 1 or 2 operators, 230V, with or without magnetic encoder (with box)

 Cod. 672580
Art. TR2
Remote control
Black version art. TR2N also available (page 118)

 Cod. 662030
Art. 104LUX
Pair of adjustable (15°) surface mounted photocells

 Cod. 662044
Art. LINEAR
Pair of adjustable photocells (180°) with possibility of synchronized operating. Range 20 Mt

 Cod. 663270
Art. DIGINET
Hardwired keypad for BUS connections to MASTER devices of range DE@NET (NET24N, NET230N, MASTERNET)

 Cod. 664010
Art. PILLY/120
Pair of aluminium columns for photocells, height 100 cm.

 Cod. 679140
Art. 100GG
Large PVC box, suitable to include any other DEA boxes, to grant a better protection and isolation.

 Cod. 672590
Art. TR4
Remote control
Black version art. TR4N also available (page 118)

 Cod. 663030
Art. 102LUX
Keyswitch with two contacts, flush mounted. Supplied with 2 keys.

 Cod. 663060
Art. KYO
Aluminium vandal-proof keyswitch, flush mounted.

 Cod. 664020
Art. PILLY/base
Pair of fixing plates for columns to be cemented.

 Cod. 675510
Art. 251/2
Hardwired 2 channels receiver, surface mounted (complete with box 100F) (433Mhz)

 Cod. 662020
Art. 104MINILUX
Pair of surface mounted photocells. Range 20 mt

 Cod. 681060
Art. COVER
Vandal-proof aluminium cover for art. LINEAR and LINEAR/B

 Cod. 663280
Art. DIGIRAD
Wireless keypad

 Cod. 664000
Art. PILLY/60
Pair of aluminium columns for photocells, height 55 cm.