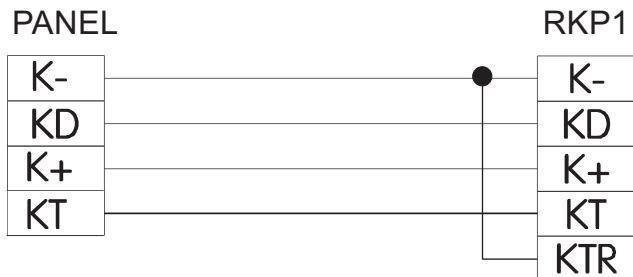
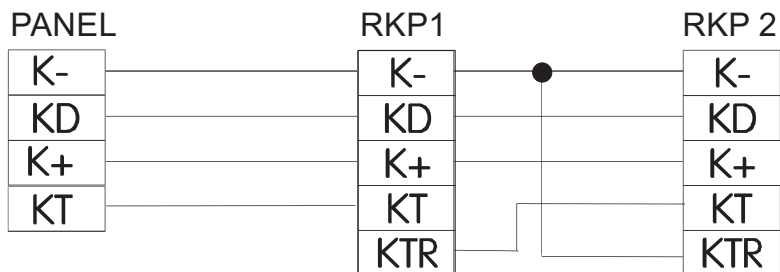


WIRING FOR STERLING 10

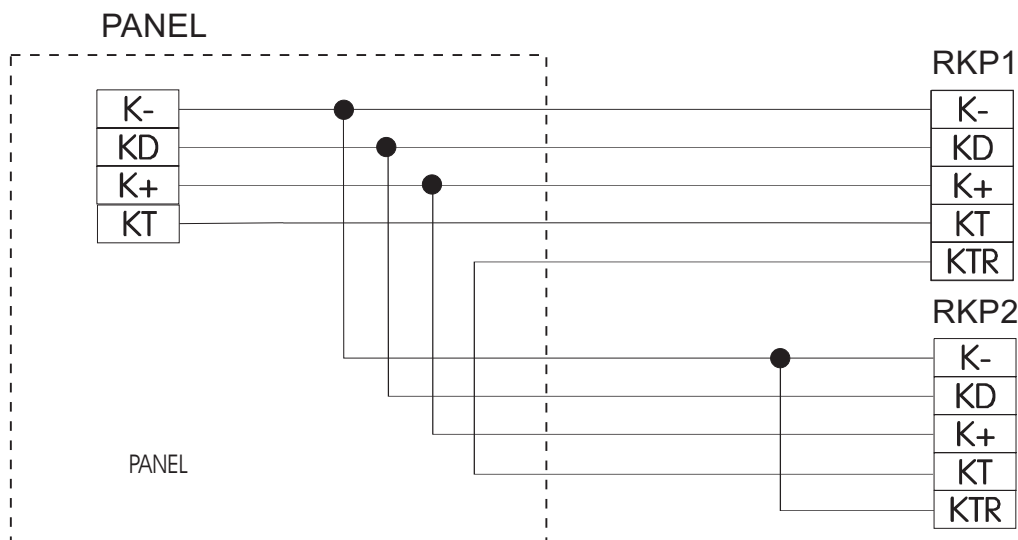
Wiring to single remote Keypad



Wiring to multiple remote Keypads (daisy chain)



Wiring to multiple remote Keypads (star configuration)



SPECIFICATIONS

Electrical

| | |
|----------------|---|
| Supply Voltage | :9-16V dc Current |
| Consumption | :8mA (Backlight off) |
| | :100mA (Backlight full) |
| Tamper loop | :Normally closed voltage free contacts. |
| | :12Volts, 50mA max |

Mechanical

| | |
|------------|------------------|
| Dimensions | :130x 140 x 25mm |
| Weight | :0.23kg |
| Colour | :White |

Environmental

| | |
|-----------------------|------------------------------|
| Operating temperature | :0 to 50°C (+14 to 122°F) |
| Storage temperature | :-20 to +60°C (-4 to +140°F) |

Volume Control

This is accessible when the rear cover has been removed. The Volume Control is adjustable via a potentiometer. Refer to PCB layout for location.

NOTE: This refers to the Keypad ONLY. For information on the Control Panel volume refer to the Control Panel Manual.

Contrast Control

This is accessible when the rear cover has been removed. The keypad Contrast Control is adjusted via a potentiometer. Refer to PCB layout for location. Adjust the potentiometer until the display is clear and easy to read.

Cleaning

Do Not use strong detergents to clean the remote keypad. To remove any dirt or grime, wipe clean with a damp cloth only.



Pyronix Limited
Pyronix House
Braithwell Way
Hellaby, Rotherham
S66 8QY, UK

Customer Support line (UK only): 0870 122 3360

This is a national rate line

email: customer.support@pyronix.com

website: www.pyronix.com

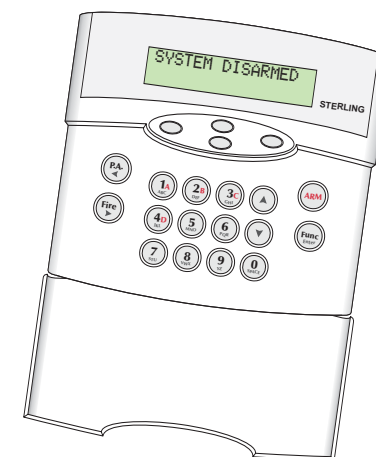
WARRANTY

THIS PRODUCT IS SOLD SUBJECT TO OUR STANDARD WARRANTY CONDITIONS AND IS WARRANTED AGAINST DEFECTS IN WORKMANSHIP FOR A PERIOD OF 2 YEARS. IN THE INTEREST OF CONTINUING IMPROVEMENT OF QUALITY, CUSTOMER CARE AND DESIGN, PYRONIX LTD RESERVE THE RIGHT TO AMEND SPECIFICATIONS WITHOUT GIVING PRIOR NOTICE.



STERLING 10™

Remote Keypad Installation Instructions



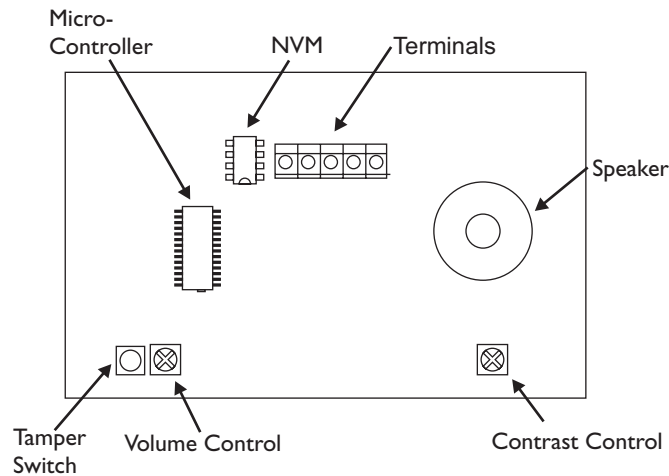
THIS REMOTE KEYPAD SHOULD ONLY BE USED WITH STERLING CONTROL PANELS. PANELS WITH RED OR PURPLE DOTS ON THE CPU ARE NOT COMPATIBLE WITH THIS KEYPAD. CONTACT TECHNICAL SUPPORT FOR UPGRADE DETAILS.



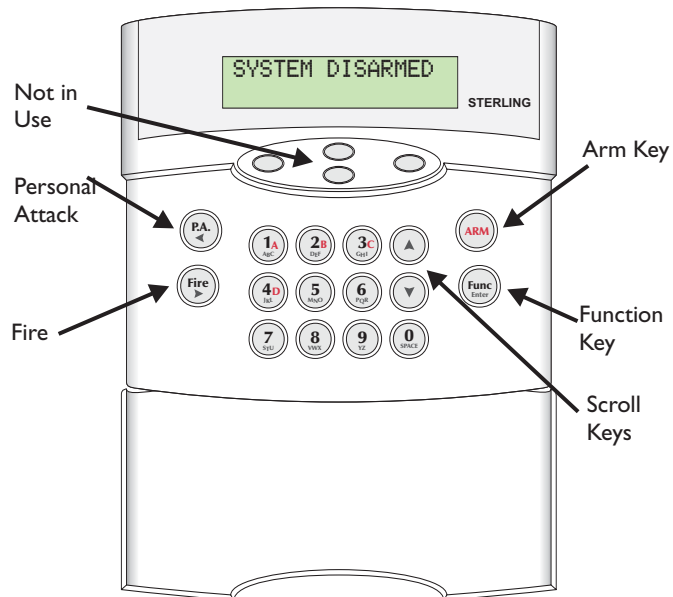
This product is approved for use in the Residential, Commercial and Light Industrial Environment.

STERLING 10™

PCB Layout



Keypad Layout



Entering Engineer Mode

Enter **Func** 0 X X X X X

The engineer has the following keypad functions available:

Change Text

Press **Func** and use the **▼** key to scroll through the functions until 'CHANGE TEXT' is displayed. Press **Func**.

Use the **▼** key to scroll to the text to change is displayed.

Each key has been assigned three letters of the alphabet. By pressing the key several times the number and letter sequence will be scrolled through. When the desired letter or number is displayed, use the **PA** and **Func** scroll keys to move between segments on the display and when the text is complete press the **Func** key to accept. Use the **▼** key to scroll to 'EXIT' and press **Func** to accept.

NOTE: The system must be in engineer mode to be able to change the zone names.

Version Number

To find the software version number and language of the keypad press **Func** and use the **▼** key to scroll down to 'FUNCTIONS'. Press **Func** again to display 'Version No.'. Press **Func** to display the software version and language.

Self Test

Press **Func** and use the **▼** key to select 'FUNCTIONS'. Press **Func** again to display 'VERSION NO.' and press the **▼** key to display 'SELF TEST'. Press the **Func** key to start the test process. The display now reads 'PLEASE WAIT'. When the display begins to scroll, press any key. The display now reads 'PRESS ALL KEYS'. After pressing all the keypad keys the fire tones at the keypad will sound. Press any key to stop the tones. The keypad test is now complete. If any faults are found during the test the keypad will display the fault and continue with the test. If there is a bad key and the key test will not finish, hold down a working key to quit the test.

Set Backlight

To set the keypad backlight.

Press **Func** and use the **▼** key to select 'SET BACKLIGHT'.

Press **Func** accept and use the **▼** and **▲** keys to set the required backlight illumination. Press **Func** accept.

Send Names

Enter **Func** and use the **▼** key to scroll down to 'FUNCTIONS'.

Press **Func** again to display 'VERSION NO.'. Use the **▼** key to scroll down to 'SEND NAMES'. Press the **Func** key to start sending the keypad programmed data to other LCD keypads in the system.

Arming the Panel

Enter X X X X (User code), press **ARM** then either **A** **B** **C** or **D** for the Arm Mode required.

Disarming the Panel

Enter X X X X (User code)

Silent Arm

Enter **Func**, then pres either **A** **B** **C** or **D**.

Contrast Control

Adjust the contrast control while viewing the display until the optimum contrast level is obtained.